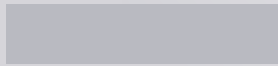




AVAILABLE COLOURS



ANODISED ALUMINIUM

COLOUR SOURCE 4 CC LED DOWNLIGHT

The Colour Source 4 sets the bar for lighting excellence, with a high performance mix-at-source multi-chip LED housed in a precision engineered anodised aluminium housing.

The lighting professionals' downlight of choice.

Product Code: CS4-DL- RGBW / RGBA / TW

Compatible With : LUD 48 , LUD 192

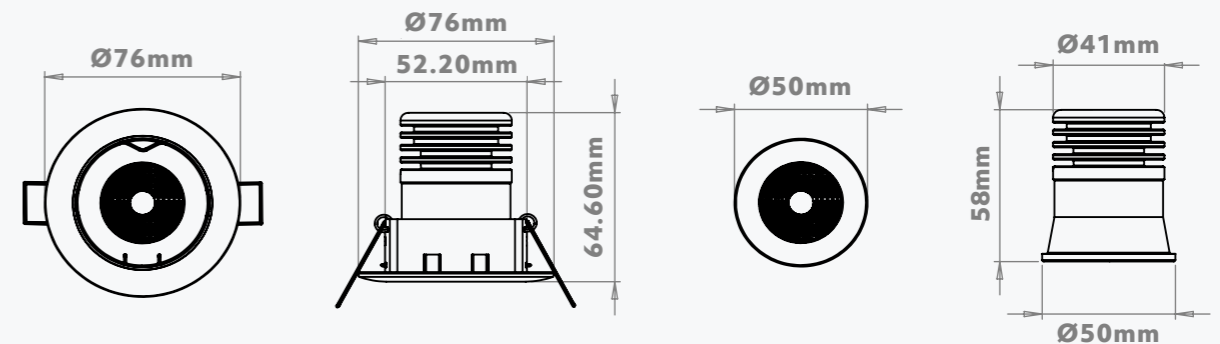
TECHNICAL SPECIFICATIONS

Channels **4Ch**
Wattage **4.8W**
Input Current **350mA**
IP Rating **IP20**
LED Type **RGBW / RGBA / TW**
Housing Cut Out **65mmØ**
Lens Options **15°/25°/40°**
LED Connection **RJ45**
Lumen Output **284lm [RGBW] / 227lm [RGBA] / 446lm [TW]**
Operating Temp Range **-20 to 50 °C**

OPTIONAL ACCESSORIES

T-Piece Connector **RJ45**
Gimbal **Static**

DIMENSIONS



OPTIONAL STATIC GIMBAL HOUSING



CS4 DOWNLIGHT

Lense Options:
15°/25°/40°

RGBW/RGBA/TW

